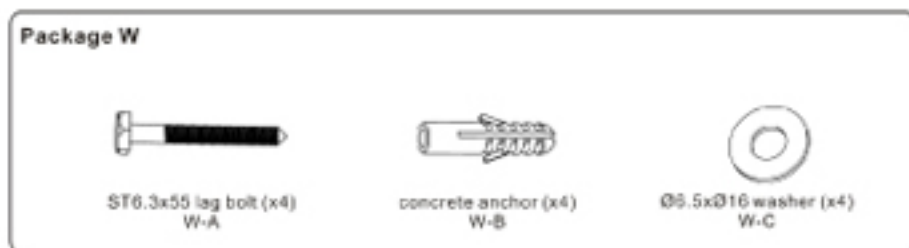
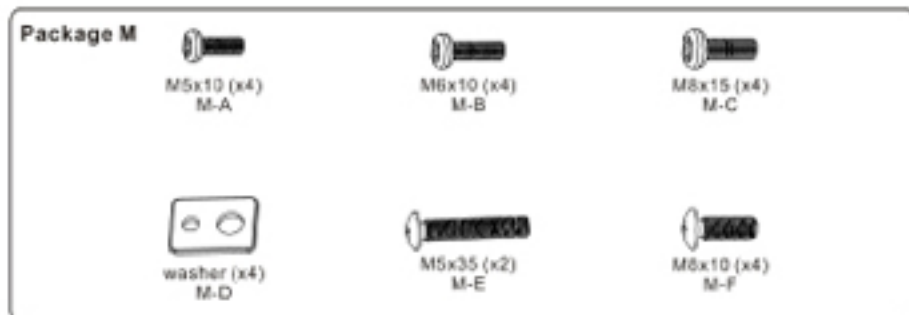
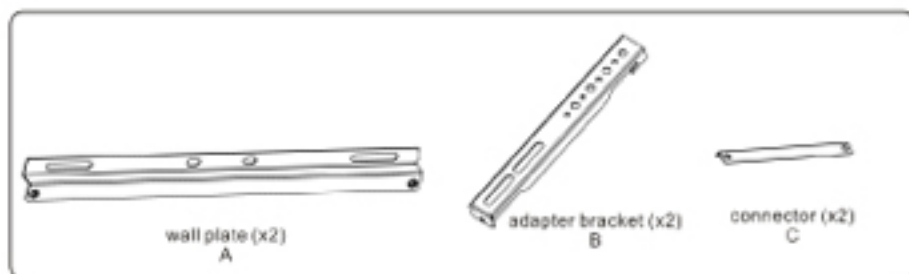


XTREME®

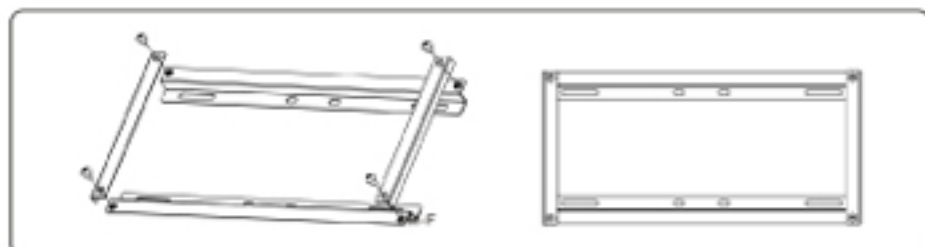
Ultra Slim Fixed TV Wall Bracket

Component Checklist

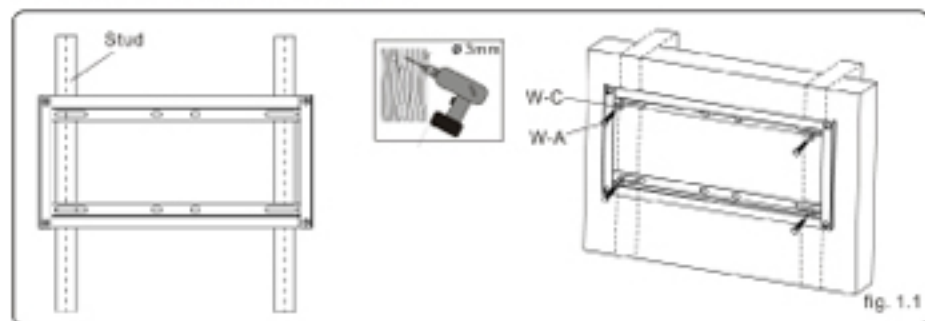
IMPORTANT: Ensure you have received all parts against the component checklist prior to installing. If any parts are missing or faulty, telephone the special franchiser for a replacement.



Assemble the wall plate as shown below.

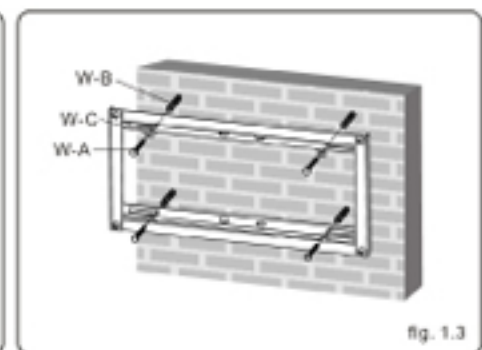
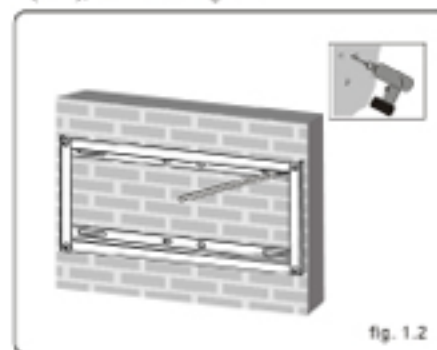


1a WOOD STUD WALL MOUNTING:



1b SOLID BRICK AND CONCRETE BLOCK MOUNTING:

- Use the wall plate as a template to mark four holes locations on the wall. Two in the top row slots and two more in the bottom row, as shown in fig. 1.2.
- Pre-drill these holes with a 10mm masonry bit to at least 60mm in depth. Insert a concrete anchor (W-B) into each of these holes. Attach the wall plate to the wall using four lag bolts (W-A) and four M6 washers (W-C), as shown in fig. 1.3.



2 Assembling Adapter Brackets

- Screw the safety screws on the adapter brackets as shown in fig. 2.1.



fig. 2.1

3 Installing Adapter Brackets

- To prevent scratching the screen, set a cloth on a flat, level surface that will support the weight of the screen.
- Place screen face side down. Place adapter brackets on the back of screen, align to holes, and center on back of screen, as shown in fig. 3.1.
- Attach the adapter brackets to the back of the screen using the appropriate combination of screws, washers, as shown in fig. 3.2.

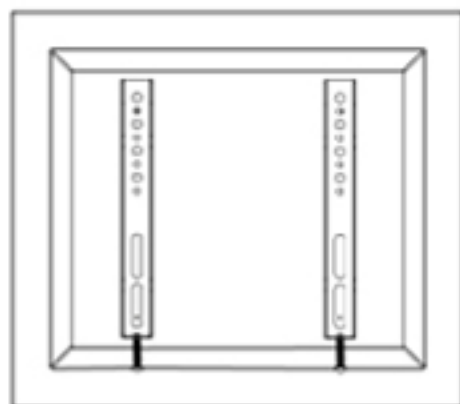


fig. 3.1

Screw must make at least three full turns into mounting hole and fit snug into place. Do not over tighten.

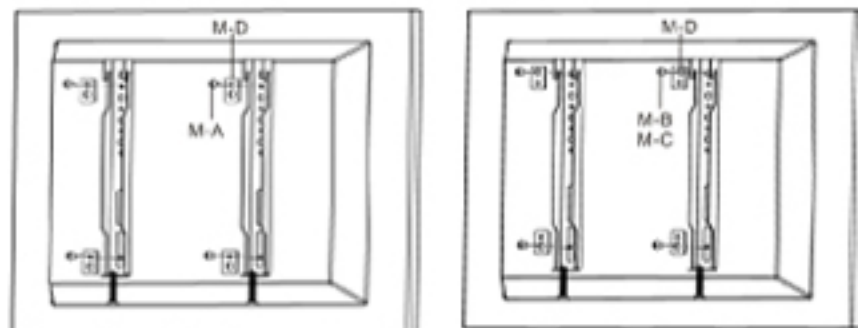


fig. 3.2

4 Hang the brackets mounted TV onto the wall plate

Warning: A minimum of two qualified people are required for this operation.

- Hook the TV mounted display brackets over the top of the wall plate as shown in fig. 4.1.
 - Tighten the safety screws on the display brackets with a proper screw driver. As shown in fig. 4.1.
- Important:** Make sure the TV is correctly hooked and the safety locking screws are locked safely before loosening the TV.

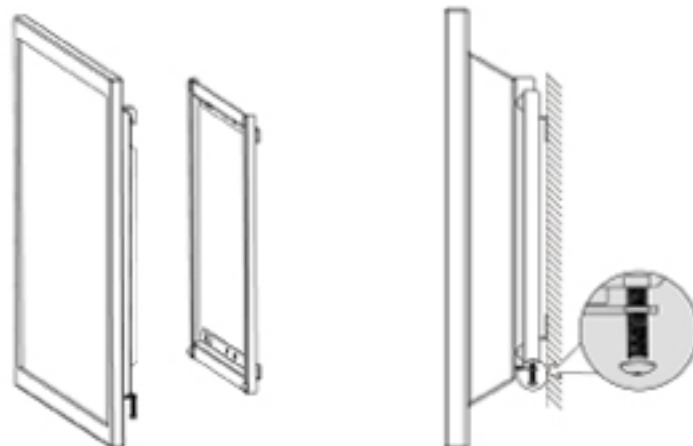


Fig. 4.1